

Bipolar box-amplifier

Type: **BOE 002 – 001 – 0 – 0 – 2B** order no. 14068

Technical data

1. power supply: bipolar

+15...24V DC , ca 50mA plus valve current
 -15...24V DC, ca 50mA plus valve current
 GND

2. servo valve current -300mA ... 0 mA ... +300 mA

adjustable with Poti from ± 200 mA up to ± 700 mA
 rated current: ± 300 mA (± 650 mA as option for 11,5 ohm coils, ± 200 mA and ± 400 mA possible)

3. Input signal

-10V ...0,0V ...+10V
 -100% ...0 ...+100% valve current

4. layout

Linear amplifier with current closed loop and with dither generator adjustable in frequency and amplitude.
 For the power lost is a heatsink mounted on the side.

5. Dimensions

Breath : 40mm
 length : 80mm
 high over mounting rail : 75mm
 mounting: clip on mounting rail NS15 or NS35

6. environment

IP 40 for mounting in a electric cabinet or junction box
 temperature range -20°C up to +60°C
 the maximal power lost with ± 24 V supply and load from 30 ohm is 5 W

7. model code:

	BOE	002-	001-	0-	0-	2B	order no. 14068
legend	1	2	3	4	5	6	

1 = Type

2 = rated current, possible current ranges

002 = stock type, adjusted to ± 300 mA (for HVM 025 to HVM 090 with coil no. 2)

001 = 200mA (for HVM 028 /058)

003 = 650 mA with ± 15 V power supply (for HVM 025 to HVM 090 with coil no. 1)

3 = housing

001 = UEG20 housing with heatsink 50 mm breath

4 = code for input signal

0 = ± 10 Volt

5 = code for power supply

0 = bipolar power required ± 15 up to ± 24 V

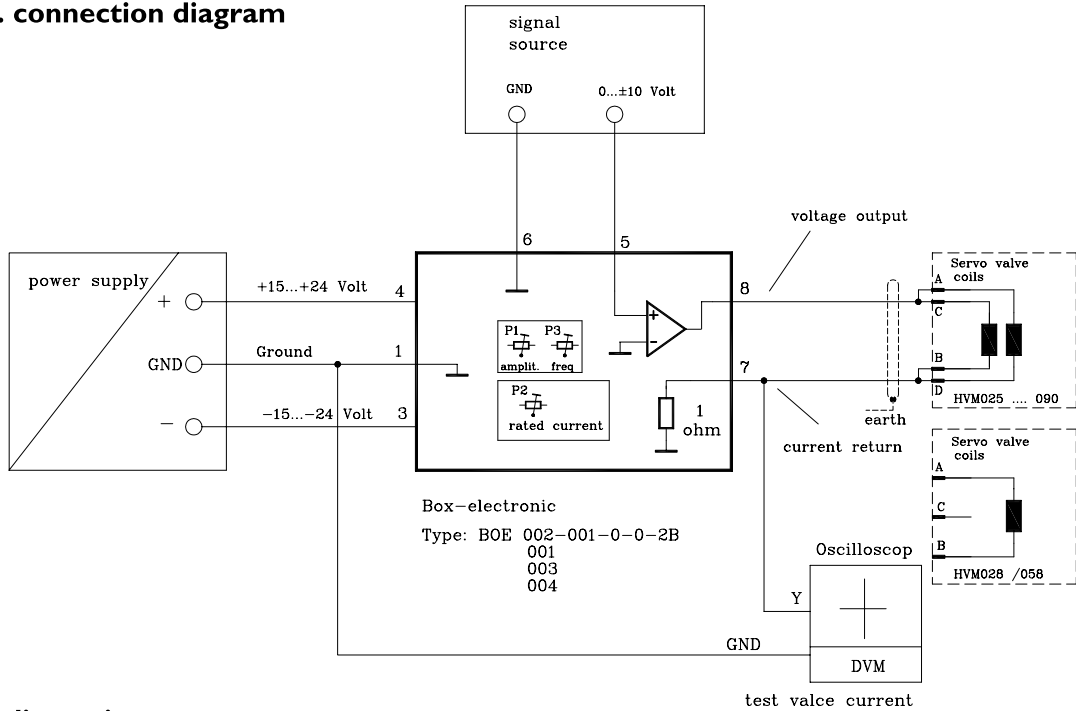
6 = code for construction level

2B

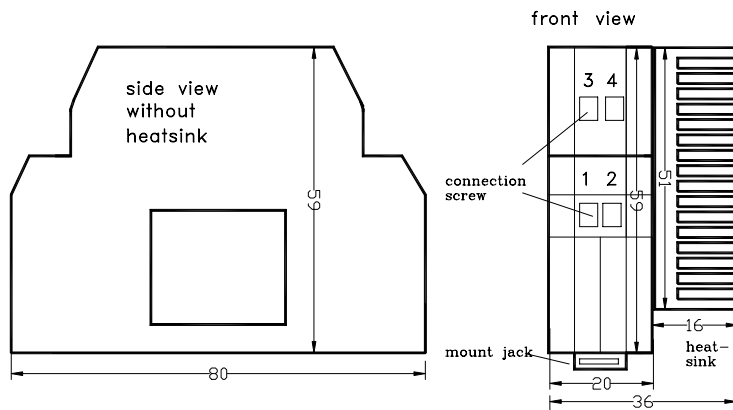
8. connection:

Pin 1	ground GND	Pin 5	0 ... ± 10 V signal input
Pin 2	ground GND	Pin 6	signal ground
Pin 3	-15V ... -24V power	Pin 7	servo valve coil +
Pin 4	+15V ... +24V power	Pin 8	servo valve coil -

9. connection diagram



10. dimensions



rated current adjusting:
 check the voltage drop on the 1 ohm resistance with 10 volt input and adjust with P2
 0,3 volt = 300 mA
caution: don't check current with current meter in short circuit mode between pin 7 and pin 8

valve direction:
 change valve direction with cable on terminal pin 7 and pin 8

type label:

```

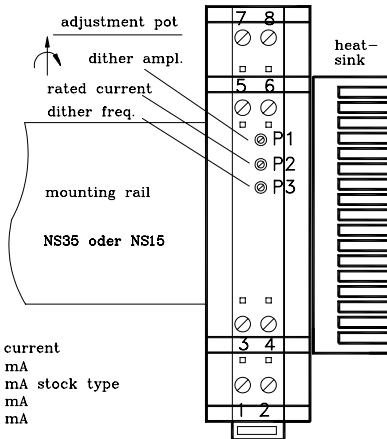
Schneider-Kreuznach
Servohydraulik
BOE-002-001-0-0-2B
Art.Nr. 14068
±300mA ±10Volt
Anschluss:
1: Masse           5: 0...±10V
2: Masse           6: Masse
3: -15...-24V     7: Servo +
4: +15...+24V     8: Servo -
    
```

on side head left

additional types

order-#	model type	rated current
29719	BOE-001-001-0-0-2B	200 mA
14068	BOE-002-001-0-0-2B	300 mA stock type
12170	BOE-004-001-0-0-2B	400 mA
15586	BOE-003-001-0-0-2B	650 mA

top view



view

